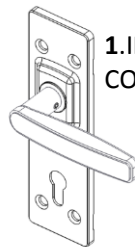


ASSEMBLY INSTRUCTIONS – “EMERALD” SET MOVABLE HANDLE





INSIDE OPENING DOOR



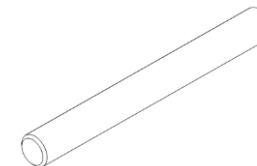
1. INTERNAL PLATE WITH
CONNECTED HANDLE



2. EXTERNAL PLATE WITH
CONNECTED HANDLE



3. CUP NUT M6



4. STUD BOLT M6



5. 1.5mm ROSETTE



6. ROUND CYLINDER
PROTECTOR (x1)



7. ROTATING DISK
(x1)

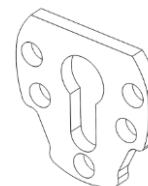


8. SCREW DIN912 M8X25

OUTSIDE OPENING DOOR



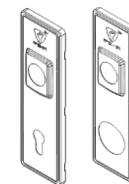
9. SCREW DIN912 M8X35



10. 5mm ROSETTE

OPTIONAL AND ACCORDING TO AN ORDER:

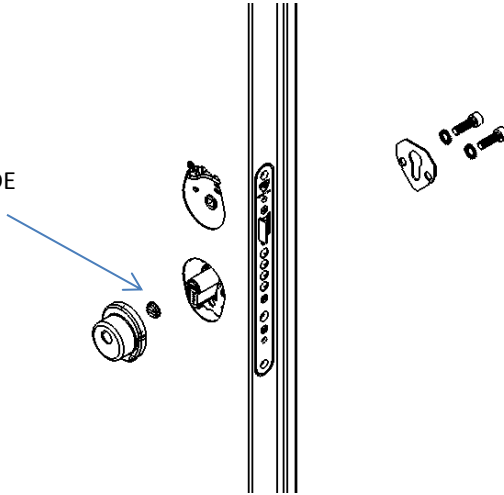
11. COVERS SET



STEP 1

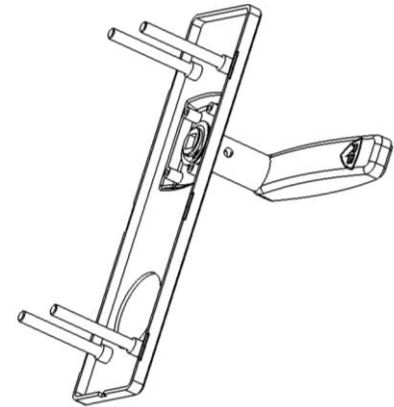
ASSEMBLE THE ROUND CYLINDER PROTECTOR WITH 2 SCREWS DIN912 M8X25.

KEEP THE ROTATING DISC INSIDE THE HOLE DURING CYLINDER PROTECTOR INTRODUCTION BY USING A KEY



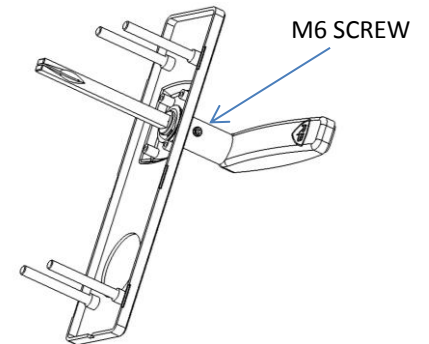
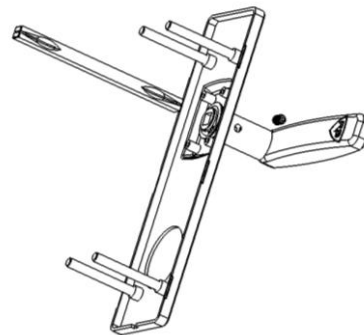
STEP 2

TIGHTEN THE STUD BOLTS TO THE M6 BUSHINGS AT THE EXTERNAL PLATE



STEP 3

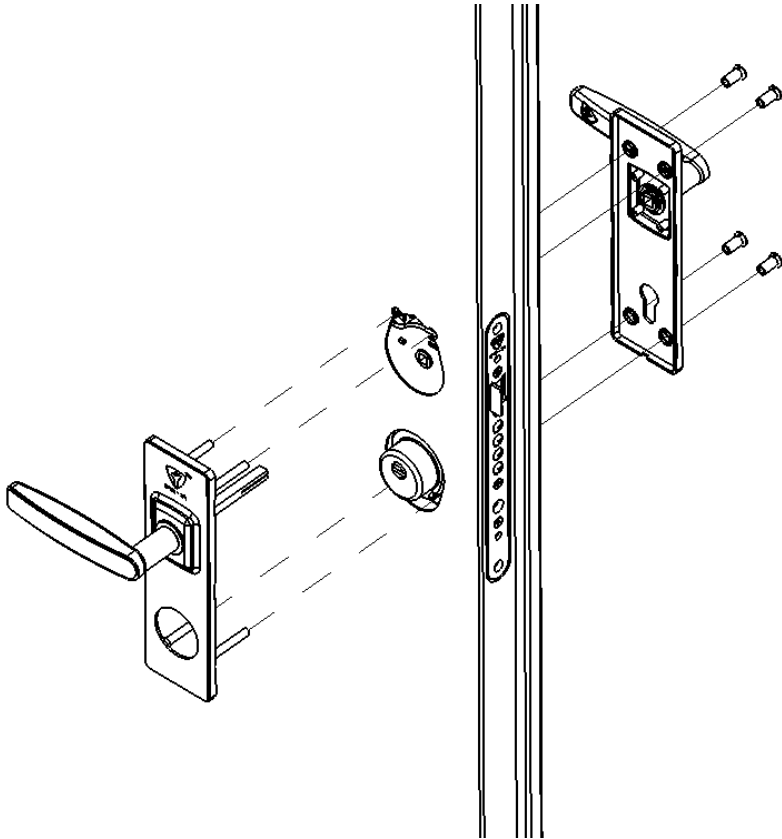
INSERT THE SQUARE AXIS TO THE HANDLE AND TIGHTEN THE M6 SCREW.





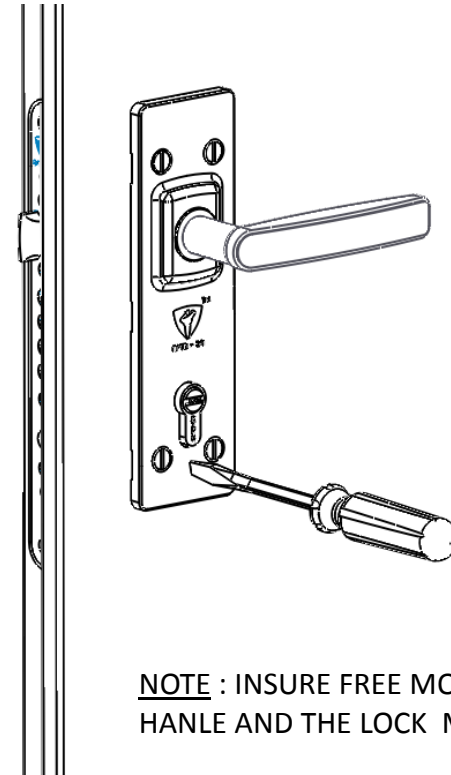
STEP 4

INSERT THE EXTERNAL PLATE WITH THE STUD BOLTS THROUGH THE LOCK AND ATTACH THE INNER PLATE.



STEP 5

THIGHTEN THE 4 CUP NUTS WITH A SCREWDRIVER



NOTE : INSURE FREE MOVEMENT OF THE HANLE AND THE LOCK MECHANISM



STEP 6 (OPTIONAL AND ACCORDING TO AN ORDER)

ATTACH THE COVERS BY PULLING THROUGH THE HANDLES
UNTIL IT CLICKS ON THE DECORATIVE PLATES.

